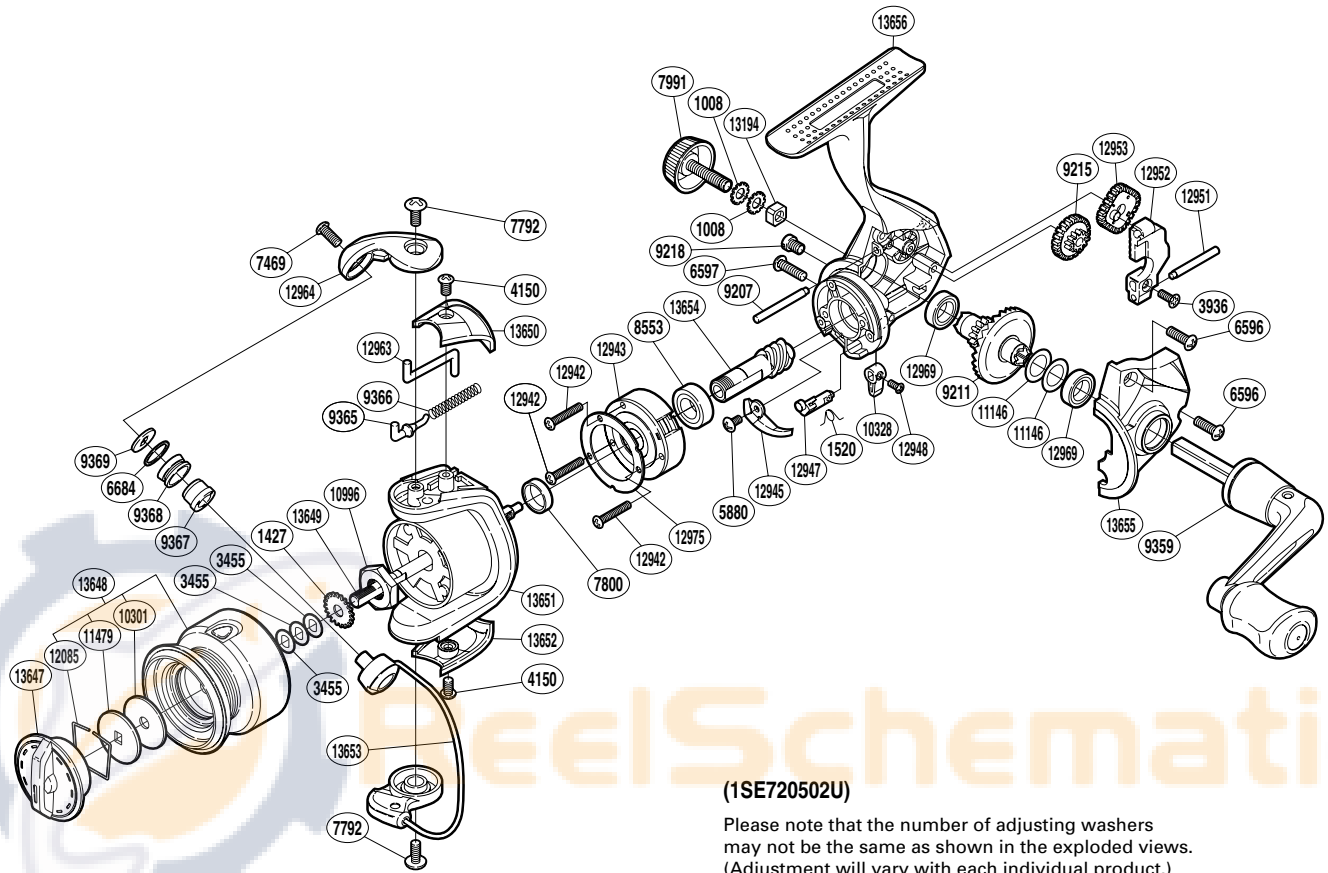


SHIMANO

SIENNA

SN-500FD



(1SE720502U)

Please note that the number of adjusting washers may not be the same as shown in the exploded views. (Adjustment will vary with each individual product.)

Part No.	Description	Part No.	Description	Part No.	Description
RD 1008	Handle Lock Washer	RD 9218	Oil Cap	RD12951	Oscillating Guide B
RD 1427	Spool Support	RD 9359	Handle Assembly	RD12952	Oscillating Slider
RD 1520	Anti-Reverse Cam Spring	RD 9365	Bail Spring Guide	RD12953	Oscillating Gear
RD 3455	Spool Washer	RD 9366	Bail Spring	RD12963	Bail Trip Lever
RD 3936	Screw	RD 9367	Line Roller Bushing	RD12964	Bail Arm
RD 4150	Screw	RD 9368	Line Roller	RD12969	Ball Bearing
RD 5880	Screw	RD 9369	Line Roller Washer	RD12975	Roller Clutch Reinforce
RD 6596	Screw	RD10301	Drag Washer	RD13194	Handle Screw Lock
RD 6597	Screw	RD10328	Anti-Reverse Lever	RD13647	Drag Knob
RD 6684	Line Roller Spacer	RD10996	Rotor Nut	RD13648	Spool Assembly
RD 7469	Screw	RD11146	Washer	RD13649	Main Shaft
RD 7792	Screw	RD11479	Key Washer	RD13650	Bail Spring Cover
RD 7800	Rotor Ring	RD12085	Drag Washers Retainer	RD13651	Rotor
RD 7991	Handle Screw Cap	RD12942	Screw	RD13652	Bail Hold Support Guard
RD 8553	Ball Bearing	RD12943	Roller Clutch Assembly	RD13653	Bail Assembly
RD 9207	Oscillating Guide A	RD12945	Bail Trip Strike	RD13654	Pinion Gear
RD 9211	Drive Gear	RD12947	Anti-Reverse Cam	RD13655	Side Cover
RD 9215	Idle Gear	RD12948	Screw	RD13656	Body